

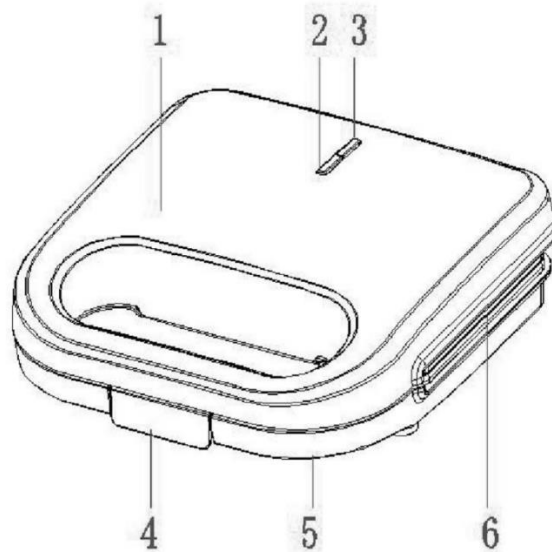
EN: DONUTPRO – USER MANUAL

Thank you for choosing our product! Please read these instructions carefully before using the appliance.

Product Model: ZJ-201

Specifications: 220-240V~, 50/60Hz, 750W, Class I

PARTS DESCRIPTION



1. Upper Housing
 2. Ready Light
 3. Power Light
 4. Lock
 5. Bottom Housing
 6. Donut Non-Stick Plate
-

INSTRUCTION MANUAL

Dear Customer,

Please read these operating instructions thoroughly before connecting your device to the power supply to avoid damage caused by improper use. Pay special attention to the safety information.

PRODUCT SAFETY INFORMATION

- **Read the instructions:** Before using the doughnut maker for the first time, read the operating instructions thoroughly and keep them in a safe place.
- **Hand over the manual:** If you give this appliance to someone else, make sure to include this manual.
- **Prevent injuries:** Incorrect usage can lead to malfunctions and injuries.
- **Not for commercial use:** This appliance is designed for household use only and is not suitable for outdoor or commercial use.

- **Power supply:** Ensure that the voltage and frequency of your mains power match the specifications on the product label.
 - **Unplug when not in use:** Always disconnect the appliance from the power source when not in use or before cleaning.
 - **Hot surfaces:** Parts of the appliance can become hot during use. Handle it only by the designated handle.
 - **Avoid water contact:** Do not immerse the appliance or power cord in water or any liquids to prevent electric shock.
 - **Keep away from children:** Children cannot recognize the hazards of improper use of electrical appliances. Never leave children unsupervised when using this appliance.
 - **Do not use damaged parts:** If the power cord or plug is damaged, or if the appliance has been dropped or damaged, do not use it. Take it to a specialist for inspection and repair.
 - **Safe cable management:** Ensure the power cord does not hang over sharp edges or come into contact with hot surfaces or open flames.
 - **Stable surface:** Place the appliance on a stable, level surface, away from heat sources and open flames.
 - **Supervise usage:** Never leave the appliance unattended while in use.
 - **Hot surfaces warning:** Accessible surfaces can become very hot when the appliance is operating.
 - **Prevent fire hazards:** Bread or other food items may burn. Do not use the appliance near flammable materials like curtains. Always keep an eye on the appliance while in use.
-

BEFORE INITIAL USE

- **Remove packaging:** Take off all packaging materials.
 - **Clean surfaces:** Wipe the cooking surfaces with a damp, soft cloth, then dry them thoroughly.
 - **Unwind the cord:** Fully unwind the power cord.
-

OPERATING INSTRUCTIONS

1. **Plug in the appliance:** Connect it to an appropriate power socket.
2. **Heating indicators:** The red and green lights will illuminate, and the heating process will begin.
3. **Preheat:** Let the appliance heat up before placing food inside. During this time, prepare your ingredients.
4. **Ready to cook:** When the green light goes off, the appliance has reached the required temperature.
5. **Open and load:** Open the appliance using the lock and place your food on the cooking plate.
6. **Close securely:** Close the appliance and ensure the lock is engaged. If the appliance doesn't close easily, reduce the amount of filling. Never force the lid closed.
7. **Temperature control:** The appliance automatically regulates temperature, turning the heating elements on and off as needed. The control light will reflect this process.
8. **Cooking time:** After about 2-3 minutes, open the appliance and use a flat wooden or plastic spatula to remove the food. Never use metal utensils as they can damage the non-stick coating.
9. **Repeat if necessary:** If you wish to cook more, close the appliance and wait for it to reheat. The green light will illuminate again when it's ready.
10. **Unplug after use:** After cooking, unplug the appliance and leave it open to cool.

CAUTION

- **Hot surfaces:** The cooking plates, sides, and top of the appliance become very hot. Only handle the appliance by the designated handle to avoid burns.
 - **Horizontal positioning:** Ensure the appliance is placed flat during operation.
 - **Damaged cord replacement:** If the power cord is damaged, it must be replaced by the manufacturer, its service agent, or a qualified technician to avoid hazards.
 - **No immersion:** Never immerse the appliance in any liquid.
 - **Surface temperature:** Accessible surfaces may become very hot during use.
 - **Fuel warning:** Do not use charcoal or similar combustible fuels with this appliance.
 - **Children and vulnerable users:** This appliance can be used by children aged 8 and above, and by individuals with reduced physical, sensory, or mental capabilities, only if they are supervised or instructed on its safe usage. Cleaning and maintenance should not be done by children unless supervised.
-

DISPOSAL INFORMATION

- **Do not dispose of the appliance in regular household waste.**
 - Use separate waste collection facilities for electrical appliances. Contact your local government for more information about available collection systems.
 - **Environmental risks:** Improper disposal may cause harmful substances to leak into groundwater, affecting the food chain and health.
 - **Retailer responsibility:** When purchasing a new appliance, retailers are required by law to take back your old appliance for disposal at no charge.
-

CLEANING AND CARE

- **Unplug before cleaning:** Always disconnect the appliance from the power supply before cleaning.
 - **Cool down:** Allow the appliance to cool completely before cleaning.
 - **Surface cleaning:** Clean the exterior and cooking plates with a soft, damp cloth.
 - **Remove crumbs:** Use a soft brush to remove any food debris or crumbs from the cooking plates.
 - **Avoid harsh cleaners:** Do not use abrasive cleaning agents or sharp objects as they may damage the non-stick coating.
 - **No immersion:** Never immerse the appliance in water or any liquid due to the risk of electric shock.
-

INSTRUCTIONS FOR RECYCLING AND DISPOSAL:



This label means that the product cannot be disposed of as other household waste throughout the EU. To prevent potential damage to the environment or human health from uncontrolled waste disposal. Recycle responsibly to promote the sustainable use of material resources. If you want to return a used device, use the drop-off and collection system, or contact the retailer from whom you bought the product. The retailer can accept the product for environmentally safe recycling.



A declaration by the manufacturer that the product complies with the requirements of the applicable EU Directives.