

EN: DISPCAR – USER MANUAL

Wireless Charging HUD Car Navigation Support

ABOUT THE HUD NAVIGATION DISPLAY

Thank you for purchasing our product.

The DISPCAR HUD Navigation Display is an innovative device designed to improve driving safety and convenience. It has been specifically developed to support modern vehicle navigation systems. This product combines a mobile phone holder, car navigation display, and wireless charging functionality into one compact unit.

With high stability, enhanced safety, and user-friendly operation, it is designed to provide a safer, easier, and more enjoyable driving experience.

PRODUCT SPECIFICATIONS

Product Name: DISPCAR

Applicable Vehicles: Suitable for all four-wheeled vehicles

Mounting Method: Base with 3M adhesive

Body Material: High-temperature resistant ABS with PMMA vacuum coating

Shell Material: ABS and plexiglass

Compatibility: Supports mobile devices with screens up to 6.5 inches

HUD Angle: Adjustable up to 180°

Base Rotation: 360°

Weight: 200 ± 5 g

Product Dimensions: 160 × 97 × 105 mm

Package Dimensions: 176 × 98 × 36 mm

Input: 5V / 1.5–2A

Output: 5V / 1.0A

Wireless Charging Sensing Distance: 4–6 mm

Applicable Models: Compatible with Qi wireless charging standard devices (Apple, Huawei, Samsung, and other supported smartphones)

Note: The above specifications are based on actual product measurements. Slight variations may occur due to manufacturing tolerances or other factors.

SAFETY PRECAUTIONS

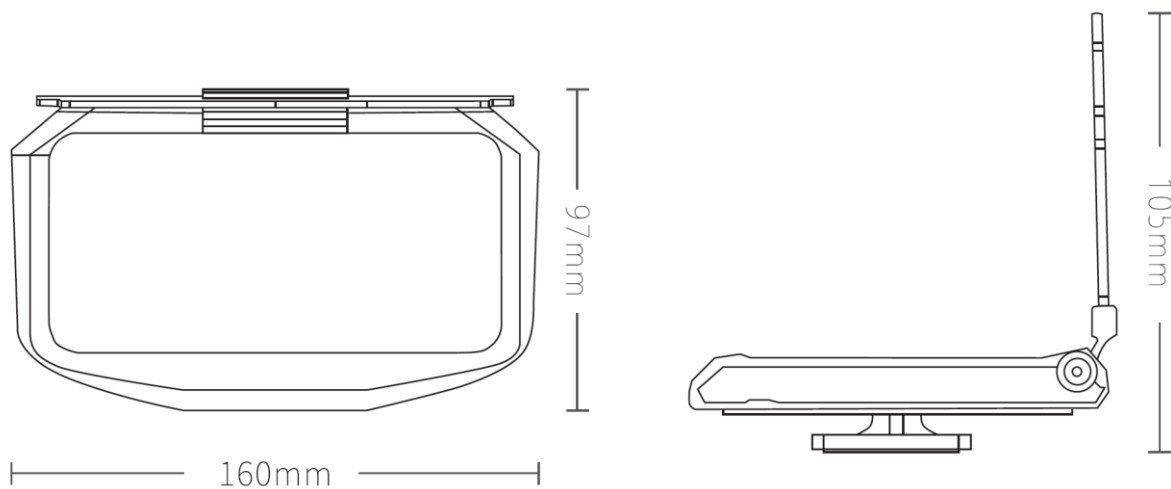
1. Do not squeeze, drop, or subject the product to impact.
2. Do not disassemble or modify the product.
3. Keep the product away from fire and water.
4. Do not use the wireless charger in extremely high temperatures, humid, or corrosive environments, as this may damage the internal circuitry or cause a short circuit.
5. Keep the product away from magnetic cards with magnetic strips or chips (such as ID cards or bank cards) to prevent data loss or magnetic strip damage.

6. Do not place metal objects or phones with metal cases on the wireless charging area.
7. Disconnect the power supply before cleaning the device.
8. This product is not a toy. Keep out of reach of children.
9. Operating temperature range: 0–45°C.

IMPORTANT NOTES

1. Before first use, download and install the latest version of your preferred navigation app.
2. Ensure your phone has sufficient battery power during navigation. If the battery level is low, charge the phone promptly.
3. Do not expose the product to high temperatures or fire. Do not drop or strike the device.
4. Keep the display screen clean and avoid scratching the HUD reflector surface.
5. If the product malfunctions, contact customer service. Do not attempt to disassemble the unit. Return it to the manufacturer for repair if necessary.

PRODUCT OVERVIEW

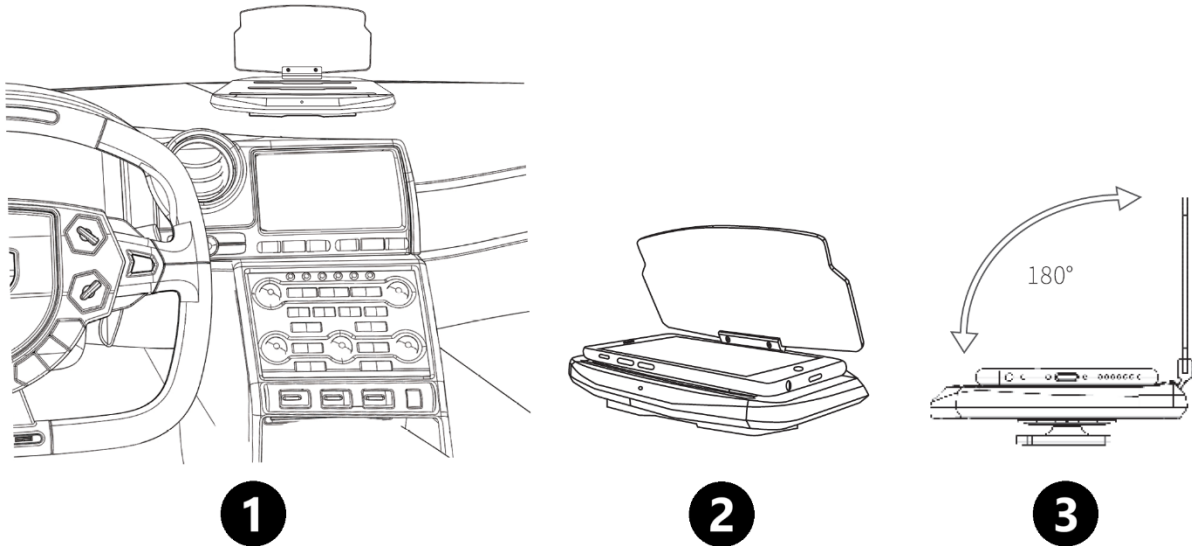


PRODUCT FUNCTIONS

- **Navigation Projection:** The navigation interface from your smartphone is projected onto the transparent HUD screen through the navigation app.
 - **Phone Holder:** Functions as a stable mobile phone holder, replacing traditional suction-cup mounts.
 - **Adjustable Viewing Angle:** The display screen can rotate up to 180° for optimal viewing.
 - **Rotating Base:** Features a 360° rotating base for improved positioning flexibility and stability.
 - **Transparent Display:** The high-definition organic glass with coated film ensures clear projection without obstructing your view of the road.
 - **Easy Installation:** The base uses strong 3M adhesive, making it adaptable to various vehicle models and allowing installation in different positions.
 - **Anti-Slip & Shock Protection:** Equipped with a triple-layer rubber pad to prevent the phone from slipping or falling during driving.
-

INSTALLATION & USE INSTRUCTIONS

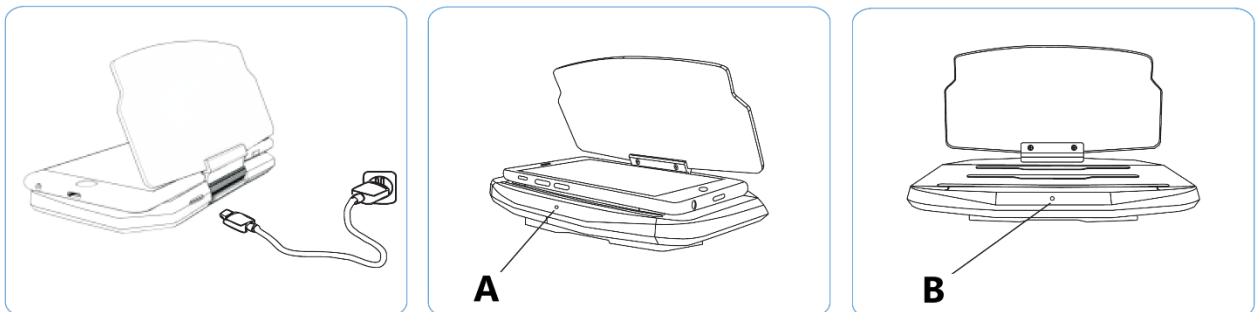
1. Remove the protective film from the 3M adhesive on the base and firmly attach the bracket to a suitable viewing position near the windshield (see Figure 1).
2. Open your phone's navigation app, set your route, select HUD mode, and place the phone on the anti-slip mat (see Figure 2).
3. Adjust the bracket angle to align the projection for optimal visibility. Navigation will begin once properly positioned (see Figure 3).



WIRELESS CHARGING INSTRUCTIONS

1. After connecting the power supply, the red indicator light will turn on, indicating standby mode.
2. Place a Qi-compatible smartphone or Qi wireless charging receiver on the charging area. The blue indicator light will turn on, indicating that charging has started.
3. When the phone or receiver is removed, the red indicator light will turn on again, indicating a return to standby mode.

Note: Devices must comply with the Qi wireless charging standard.



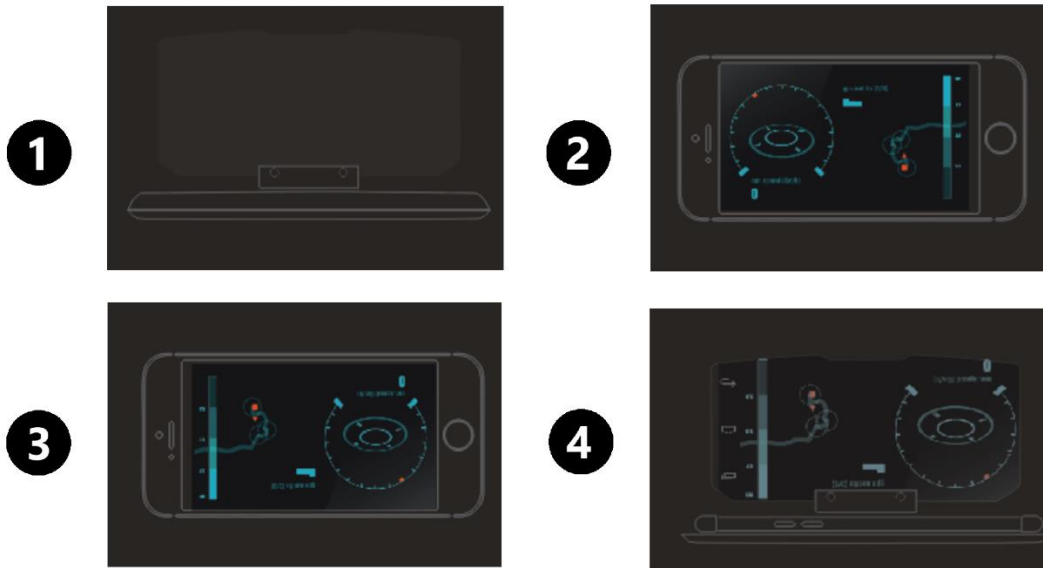
Indicator Lights:

- A. Charging Indicator (Blue)
- B. Standby Indicator (Red)

APP OPERATION INTERFACE

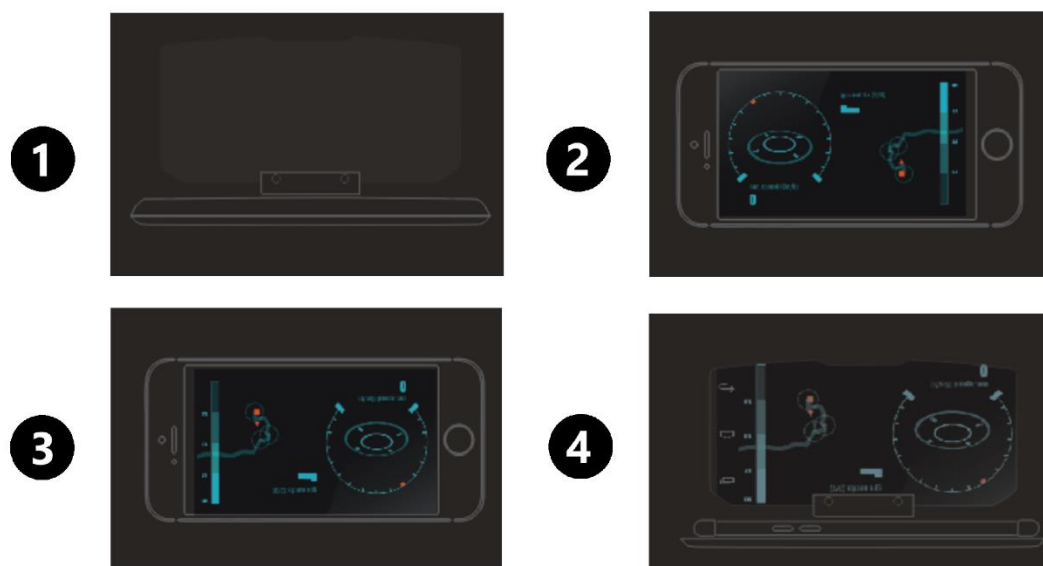
Baidu Navigation Mode

1. Download and install Baidu Maps on your smartphone.
2. Set your destination before starting navigation.
3. Tap the red circle icon in the bottom-right corner to access settings.
4. Rotate the phone screen and select projection mode to activate HUD navigation.



Autonavi Navigation Mode

1. Open the Autonavi Navigation app on your smartphone.
2. Enter your destination.
3. Tap the settings icon in the bottom-right corner.
4. Select HUD mode.



Note: Baidu, Tencent, Autonavi, and other major navigation apps support HUD projection mode. No additional software installation is required.

INSTRUCTIONS FOR RECYCLING AND DISPOSAL:



This label means that the product cannot be disposed of as other household waste throughout the EU. To prevent potential damage to the environment or human health from uncontrolled waste disposal. Recycle responsibly to promote the sustainable use of material resources. If you want to return a used device, use the drop-off and collection system, or contact the retailer from whom you bought the product. The retailer can accept the product for environmentally safe recycling.



A declaration by the manufacturer that the product complies with the requirements of the applicable EU Directives.