

EN: DETECTOPRO - USER MANUAL

FEATURES

With your metal detector, you can search for coins, relics, jewelry, gold, and silver almost anywhere. This metal detector is versatile and easy to use. Key features include:

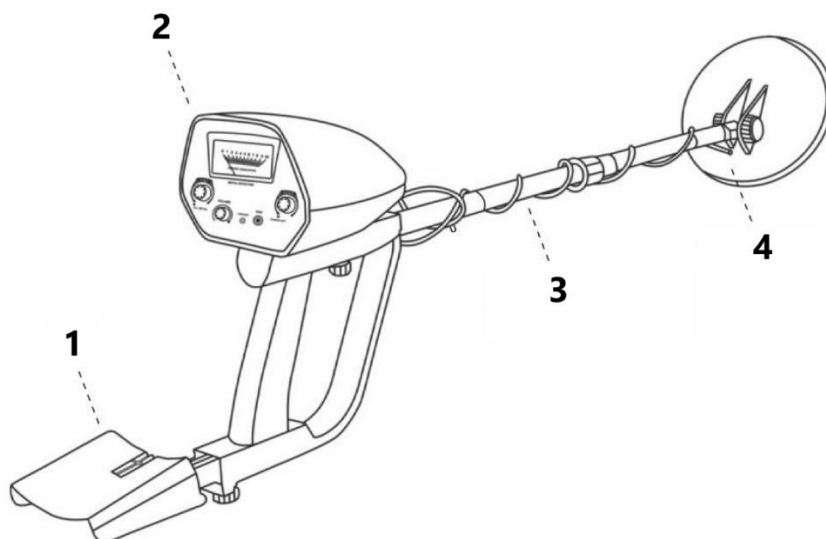
- **ALL METAL Mode** – Detects all types of metal with automatic ground balancing and high sensitivity, making it the optimal operating mode.
 - **DISC Mode** – Allows discrimination between different types of metal.
 - **Volume Control** – Adjusts the volume level for both the speaker and headphones.
 - **Earphone Jack** – Enables connection of headphones (not included) for private listening.
 - **View Meter and Pointer** – The meter pointer swings to the right when metal is detected.
 - **Waterproof Search Coil** – Allows metal detection in shallow water. **Note:** The search coil is waterproof, but the control housing is not.
 - **Adjustable Stem** – Lets you modify the detector's length for comfort.
 - **Battery Powered** – Operates on two 9V alkaline batteries (not included).
-

TREASURE HUNTER'S CODE OF ETHICS

To ensure responsible metal detecting, follow these guidelines:

- Always obtain permission before searching any site.
 - Respect private property and the rights of others.
 - Comply with all national, state, and local laws regarding metal detecting.
 - Do not damage historical or archaeological artifacts. If you find an item of potential historical significance, contact a museum or local historical society.
 - Preserve the environment by not disturbing vegetation and by refilling any holes you dig.
 - Use the detector only in safe and permitted areas.
 - Properly dispose of any junk or debris you find—never leave it behind.
-

PARTS OF THE DETECTOR

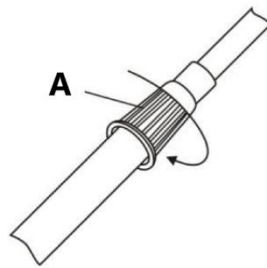


1. Arm Rest
2. Control Box
3. Adjustable Stem with Cable
4. Search Coil

ASSEMBLING THE DETECTOR

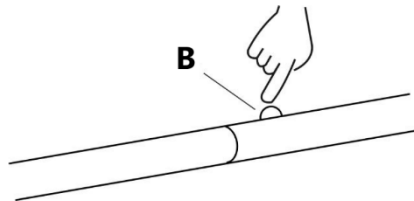
Assembly is straightforward and requires no special tools. Follow these steps:

1. **Attach the Search Coil:** Unscrew the knobs on the search coil and remove them along with the connector. Insert the smaller stem into the search coil bracket, aligning the holes. Push the connector through the aligned holes, then replace and tighten the knobs.
2. **Extend the Stem:** Loosen the stem's lock nut (near the handle) by turning it in the direction of the arrow. Insert the smaller stem into the larger stem connected to the handle. Turn the lock nut in the opposite direction to secure it.



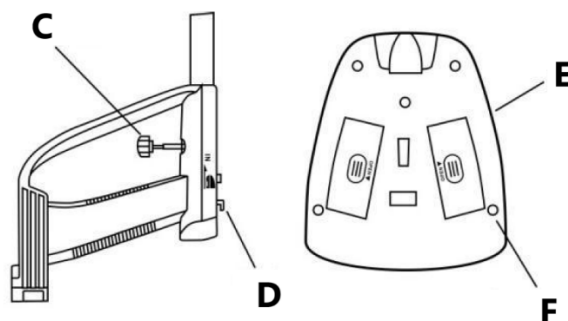
A: Lock Nut

3. **Connect the Middle and Top Stem:** Press the silver button on the middle stem and connect it to the top stem.



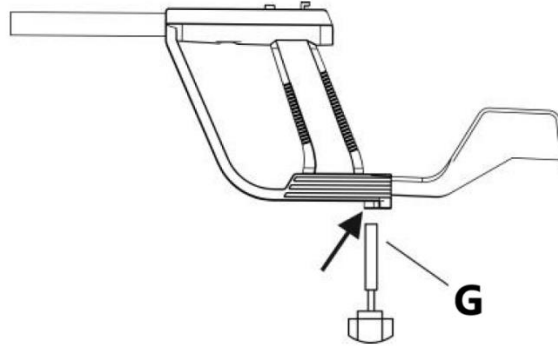
B: Silver Button

4. **Attach the Control Box:** Insert the latch on the handle into the assembly hole on the bottom of the control box. Push the control box slightly in the "IN" direction to lock the latch in place.



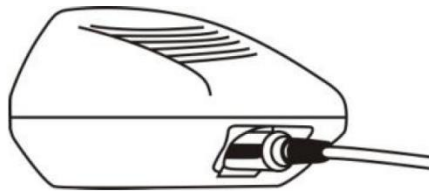
- C: Fixing Screw
- D: Latch
- E: Control Box
- F: Assembly Hole

5. **Install the Arm Support:** Insert the arm support into the handle on the top stem and tighten the fixing screw.



G: Fixing Screw

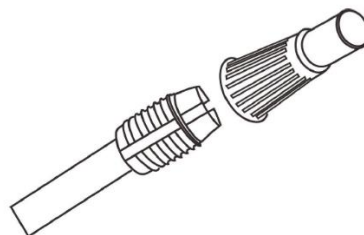
6. **Connect the Search Coil Cable:** Insert the search coil cable plug into the five-pin jack on the front of the control box housing.



7. **Adjust the Stem Length:** Extend or shorten the stem so that when standing upright with the detector in hand, the search coil is level with and about 1–5 cm (0.5–2 inches) above the ground.. Tighten the lock nut once adjusted.

Caution:

- The search coil cable plug fits only one way. **Do not force it** to avoid damage.
- **Do not disassemble the stem lock nut.** If disassembled, ensure the washer is positioned correctly (small head facing upwards) before reattaching and tightening the lock nut.



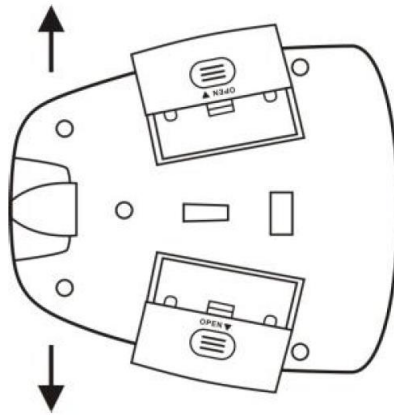
ADJUSTING THE SEARCH COIL

1. Loosen the knobs at the search coil's end.
2. Adjust the search coil to the desired angle. **Ensure the search coil is parallel to the ground.**
3. Tighten the knobs just enough to prevent the search coil from rotating or wobbling.

INSTALLING THE BATTERIES

This detector requires **two 9V alkaline batteries**.

1. If the detector is on, turn the power switch (on the control panel) to **POWER OFF**.
2. Press on the battery compartment cover and slide it off in the direction of the arrows.



3. Connect the battery to the battery connector, ensuring proper polarity, then place it inside the compartment.
4. Replace the battery cover securely.

Cautions:

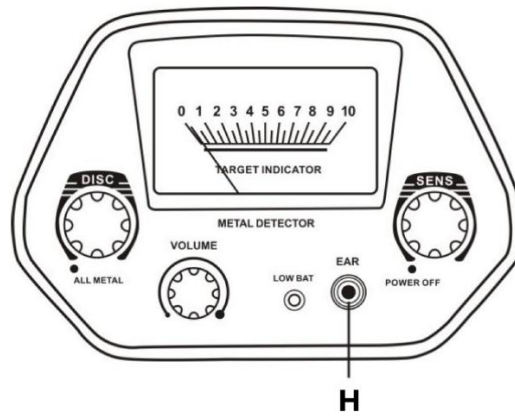
- Use only **fresh** batteries of the required size and type.
- Remove **old or weak** batteries to prevent leakage, which can damage electronic components.
- If you do not plan to use the detector for an extended period, **remove the batteries**.
- Dispose of used batteries properly and in accordance with local regulations.

Tip: Using earphones can help extend battery life, as they consume less power than the built-in speaker.

USING EARPHONES

You can connect a pair of headphones (not supplied) to the detector for private listening. Using earphones conserves battery power and enhances your ability to detect subtle changes in sound for more accurate results.

To connect earphones, insert the 3.5mm plug into the **EAR** jack on the control panel.



H: EAR

Note: The detector's internal speaker is automatically disabled when earphones are connected.

LISTENING SAFELY

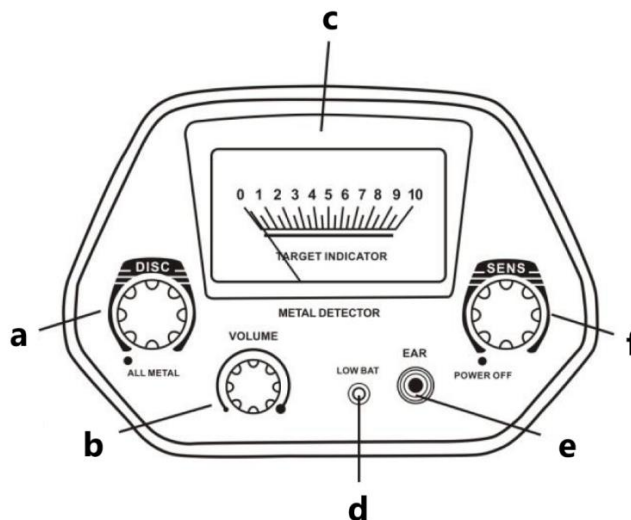
To protect your hearing, follow these guidelines when using earphones:

- Set the volume to the lowest setting before you begin listening.
- Adjust the volume to a comfortable level after you start listening.
- Avoid listening at extremely high volumes, as prolonged exposure can cause permanent hearing loss.
- Do not increase the volume over time. Your ears adapt to sound levels, and what seems comfortable may still be harmful.

TRAFFIC SAFETY

Do **not** wear headphones while operating your detector near high-traffic areas. Even if some earphones allow you to hear external sounds at normal volume levels, they may still pose a safety hazard.

CONTROL BOX PARTS AND FUNCTIONS



- a. **DISC** – Rotate the control clockwise from **ALL METAL** mode to enter **DISC** mode, which features automatic ground balancing. Turning the control further clockwise eliminates unwanted metal objects. To switch back to **ALL METAL**, rotate counterclockwise to the end. This mode detects both ferrous and non-ferrous metals.
- b. **VOLUME** – Rotate clockwise to increase volume; counterclockwise to decrease it.
- c. **VIEW METER** – The meter pointer moves to the right when the unit detects metal.
- d. **LOW BAT** – Low battery indicator. When lit, replace the batteries immediately.
- e. **EAR** – 3.5mm headphone jack for connecting earphones.
- f. **SENS** – Rotate counterclockwise to turn off the unit. Rotate clockwise to power on and increase sensitivity.

TESTING AND USING THE DETECTOR

This metal detector has two operation modes:

- **ALL METAL** – Detects all types of metal.
- **DISC** – Discriminates between different metals.

Set the operation mode to **ALL METAL**, turn the **DISC** control counterclockwise to the end, and set **SENS** to a high position. Hold the search coil parallel to the ground, about **1-5 cm (0.5-2 inches)** above the surface. Sweep the search coil side to side in an arc, maintaining a **7 cm (2.75-inch)** motion.

When the detector detects metal, it emits a tone. Mark the exact spot where the tone occurs, then move the search coil directly over the point. Move it straight forward and backward a few times. Gradually rotate the **DISC** control clockwise until the tone changes or stops. The **DISC** setting will help identify the type of metal detected:

DISC Setting	Metal Rejected
Near 11:00	Iron
Near 12:00	Nickel coin (5¢), pull tab
Near 13:00	Zinc coin (1¢, 1987 version)
Near 15:00	Copper coin (1¢, 1976 version)

At the highest **DISC** setting (fully clockwise), most metals are rejected except silver coins (25¢, 50¢, and \$1).

SEARCH COIL SWEEPING HINTS

- Do **not** swing the search coil like a pendulum. Raising it at the end of a sweep causes false readings.

- Sweep slowly; rushing may cause you to miss targets.
- Move the coil side to side in a **3-inch** arc, keeping it parallel to the ground.

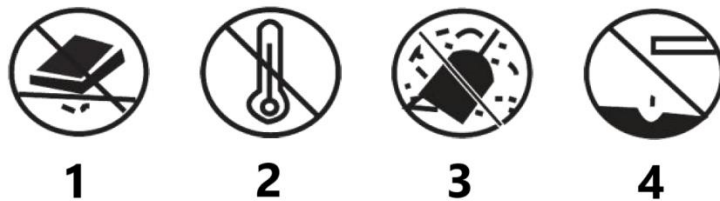
FACTORS AFFECTING DETECTION

Accurate detection requires practice and may be affected by several factors:

- **Electromagnetic Interference** – Nearby electrical cables, TVs, or radios may cause interference. Reduce sensitivity or move to a different location.
- **Highly Mineralized Soil** – The detector may produce signals even without metal. Reduce sensitivity and raise the search coil above the ground until false signals stop. Adjust **DISC** if necessary.
- **Trash-Rich Areas** – Setting **DISC** to 11:00 helps filter out unwanted metals like nails and small iron objects.
- **Metal Digging Tools** – Keep metal tools away while searching.
- **Sensitivity vs. Discrimination** – High sensitivity can reduce discrimination accuracy. Lowering sensitivity improves discrimination.

CARE AND MAINTENANCE

Your metal detector is designed with precision craftsmanship. Follow these guidelines to ensure long-lasting performance:



1. Handle the detector with care. Dropping it may damage internal components and affect performance.
2. Use the detector in normal temperature conditions. Extreme temperatures can shorten its lifespan and cause malfunctions.
3. Keep the detector free from dust and dirt to prevent premature wear and tear.
4. Wipe the detector with a damp cloth occasionally to maintain its appearance. Do **not** use harsh chemicals, solvents, or strong detergents.

INSTRUCTIONS FOR RECYCLING AND DISPOSAL:



This label means that the product cannot be disposed of as other household waste throughout the EU. To prevent potential damage to the environment or human health from uncontrolled waste disposal. Recycle responsibly to promote the sustainable use of material resources. If you want to return a used device, use the drop-off and collection system, or contact the retailer from whom you bought the product. The retailer can accept the product for environmentally safe recycling.



A declaration by the manufacturer that the product complies with the requirements of the applicable EU Directives.