

# EN: CARVID – USER MANUAL

## PRODUCT SPECIFICATIONS

**Product Features:** High-definition camera with high-definition recording.

**G-Sensor:** Built-in. In case of an accident, videos are automatically saved in the background and cannot be deleted.

**LCD Screen Size:** 3.16 inches

**Camera Lens:** Wide-angle lens

**Language Support:** Multiple languages

**Video File Format:** AVI

**Video Resolution:** 1920×1080P / 1280×720P

**Video Coding Format:** MJPG

**Ignition Control:** Supports automatic start with car ignition and delayed shutdown after the engine is turned off

**Date/Time Display:** Year, month, day supported

**Memory Card:** TF card (supports up to 64 GB, not included)

**Photo Mode:** 12-megapixel resolution

**Photo Format:** JPEG

**Microphone:** Supported

**Camera Reversal:** Supported

**Voltage Reduction Line:** Supported (optional)

**Wi-Fi Function:** Supported

**Frequency Spectrum:** 2412MHz ~ 2472MHz

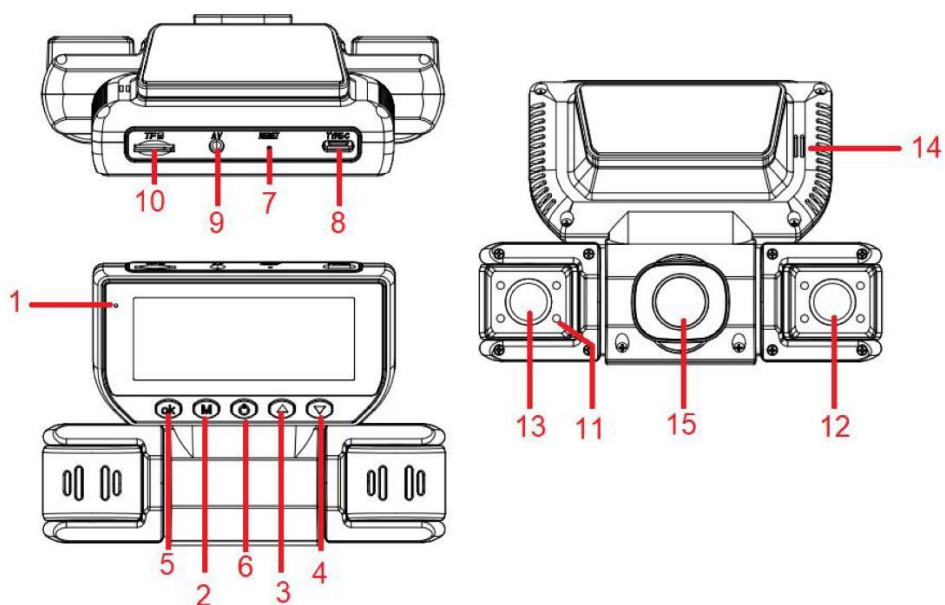
**Max. Radio Frequency Power:** 10dBm

**Power Interface:** 5V/2A

---

## PRODUCT OVERVIEW

### Key and Function Description



1. **Work Indicator Light:** Red light indicates device startup; blue light flashes during recording; red light remains on while charging.
  2. **Menu Key:** Short press to access the function settings menu. During recording, short press to lock the current video and save it as a non-deletable file. Long press to switch between video recording, photo mode, and playback mode.
  3. **Upward Key:** Navigate upward in the menu. In standby or recording mode, short press to turn infrared light on/off; long press to enable/disable Wi-Fi.
  4. **Downward Key:** Navigate downward in the menu. Short press to switch the camera display on the screen.
  5. **OK Key:** Confirm selection. In camera mode, short press to start recording and press again to stop. In photo mode, press to take a photo. In playback or menu mode, functions as a confirmation key.
  6. **Power Button:** Short press to turn on, long press to turn off. In standby, short press to turn off the screen.
  7. **Reset Hole:** Use the reset button to restore the device if unresponsive.
  8. **Power Interface:** Connects to the car charger or voltage reduction line to provide power.
  9. **Rear Camera Interface:** Input port for the rear camera.
  10. **TF Card Slot:** Memory card slot.
  11. **Infrared Lamp:** Night vision illumination.
  12. **Left Camera:** Left view window.
  13. **Right Camera:** Right view window.
  14. **Speaker:** Plays video/audio files and sound notifications.
  15. **Front Camera:** Front view window.
- 

## SPECIAL FUNCTION DESCRIPTION

- **G-Sensor Function:**

The device detects sudden acceleration ( $1g = 9.8 \text{ m/s}^2$ ). When triggered, it automatically locks and saves the video of the event as a non-deletable file. The sensitivity of the G-sensor can be set in the menu with four levels: Off, Low, Medium, and High. The factory default is Off.
- **One-Click Lock Function:**

During recording, short press the Menu button to lock the current video and save it as a non-deletable file.
- **Automatic On/Off:**

When connected to the car power supply, the device will automatically start recording when the car engine is turned on, and it will automatically save and shut down when the engine is turned off.
- **Parking Mode:**

When activated, if the vehicle is off or ignition is off, the dashcam enters a parking surveillance program. The camera will record for 30 seconds before automatically shutting down. If additional vibration is detected, recording will restart automatically. Videos recorded during parking mode are automatically locked.

**Note:** Parking mode must be activated before automatic shutdown. Manual start or shutdown will disable parking monitoring. This function does not operate if the battery or car battery is completely drained.

- **Time-Lapse Recording:**

This function requires a voltage reduction cable; it is not supported via standard car charging. Enter time-lapse recording settings to select a duration: Off / 2 hours / 4 hours / 8 hours / 24 hours. When enabled, the system will continue to record for the selected duration after ACC power loss. Default is Off.

**Note:** This function cannot be used if the car battery is fully drained.

---

## BASIC OPERATION INSTRUCTIONS

- **Power On/Off:** Short press the power button to turn on the device. The indicator light will illuminate. Long press to turn off; the light will go off.
- **Camera Mode:** Short press the OK button to start recording. During recording, a red dot will appear on-screen, and the blue indicator light will flash, indicating active recording.
- **Photo Mode:** Long press the Menu button to switch to photo mode. A photo icon appears in the top left corner of the screen. Short press the OK button to take a photo. A shutter sound indicates the photo is successfully captured.
- **Video/Photo Playback:** Long press the Menu button to switch to playback mode. The playback icon will appear in the top left corner of the screen. Use the Up/Down keys to select files, and short press OK to play the selected video.
- **Menu Settings:** In standby mode, short press the Menu key to access the settings menu. Use the Up/Down keys to navigate. Select the setting to change and press OK to enter. Adjust values with the Up/Down keys, and confirm changes by pressing OK.
- **Exit Settings:** Short press the Menu button to exit the settings menu.
- **Time and Date Settings:** In standby, enter Settings via Menu, select Date/Time, and press OK. Use Up/Down keys to navigate year/month/day/hour/minute/second. Press OK to confirm each selection.

**Note:** If the device becomes unresponsive due to improper operation, press the reset button and restart the device to return to normal operation.

---

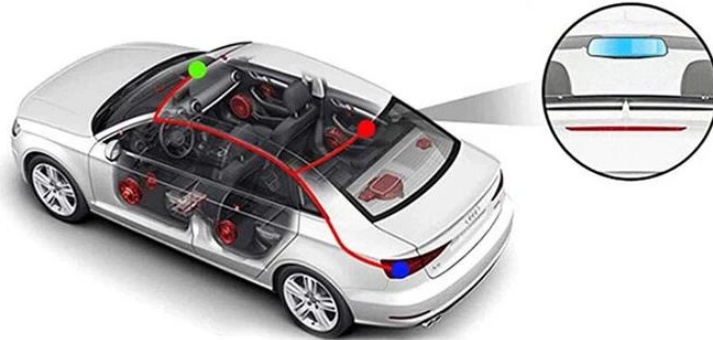
## INSTALLATION GUIDE

1. Turn off the car engine.
2. Insert a high-speed TF card (C10 or higher) into the device slot.
3. Secure the recorder to the front windshield of the car.
4. Plug the car charger into the cigarette lighter socket.
5. Connect the device's Type-C port to the car charger using an extension cable. Route the cable along the edge of the windshield. If using a voltage reduction line, connect BAT+/ACC/GND-3 to the corresponding vehicle terminals.
6. Install the rear camera on a clean rear windshield or above the license plate. Route the cable through the roof gap to the rear camera port. Connect the red wire to the positive terminal of the parking light.
7. Adjust the lens position to ensure it is level with the ground.

8. Start the engine and confirm that the device is installed correctly. The indicator light should illuminate, and the video recording indicator should flash. Ensure the display screen shows a clear picture.

#### Rear Camera Installation Options:

- Fix the rear camera on the back windshield.



- Install above the license plate.



---

#### APPLICATION INSTALLATION AND WIFI CONNECTION

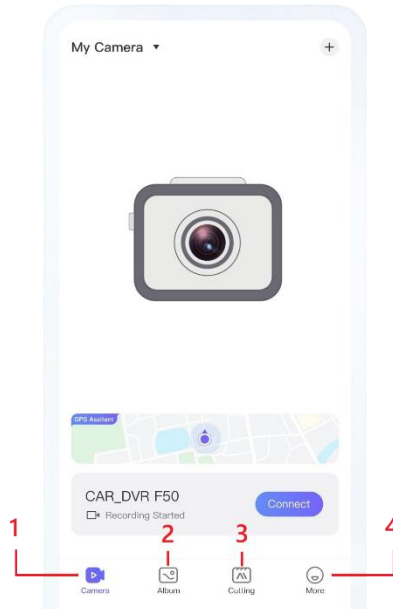


1. In standby, press the Menu key → Wi-Fi Settings → select On. Short press OK to confirm and enter Wi-Fi mode. The screen will display the Wi-Fi name and password. Long press Up to toggle Wi-Fi.
2. Access the product information screen to view Wi-Fi name and password.
3. Scan the QR code to download and install the app. For Android phones, select "Safe Download." For iOS devices, the system will redirect to the App Store.

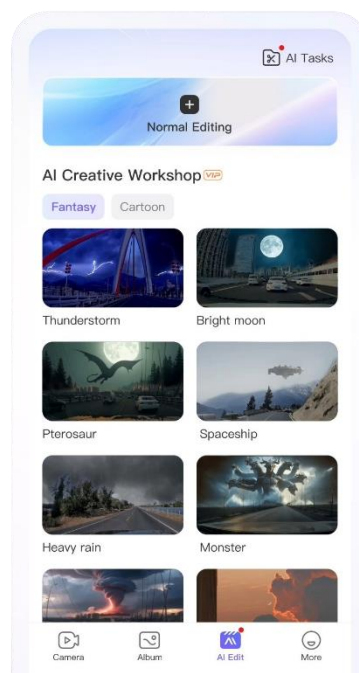
4. Add devices in the app: connect to the Wi-Fi network (e.g., GPLUSPR\*\*\*\*), enter the password (default: 12345678). Follow the app instructions to complete setup.

---

## APP FUNCTION INTRODUCTION



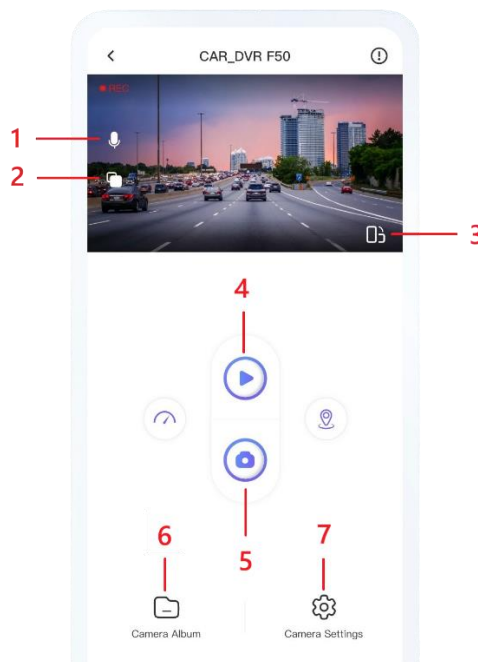
1. **Video Recorder:** This page allows you to manage your video recorder. You can add, view, delete, and access the video preview interface of the device.
2. **Photo Album:** Manage photos and videos downloaded from the recorder to your mobile device.
3. **Editor Window and AI Enhancements:**



- In **Normal Editing Mode**, you can edit recorded videos by trimming, adjusting length, changing playback speed, and performing other standard edits.
  - In the **AI Creative Workshop**, you can enhance and modify your recorded videos using AI-powered tools for creative editing.
4. **More:** Access language settings, provide feedback on issues, and view additional information about the app.

---

## INTRODUCTION OF RECORDER FUNCTIONS



1. **Microphone:** Click to enable or disable audio recording.
2. **Lens Switching Display:** Click to switch between available camera lenses for multi-angle viewing.
3. **Full-Screen Display:** Click the full-screen icon to watch videos in full-screen mode.
4. **Video Recording:** Click to pause or start recording. After completion, videos are saved to the video recorder automatically.
5. **Take Photos:** Click to capture photos. Captured images are saved to the video recorder automatically.
6. **Recorder Files:** Enter the recorder file list to view and organize recordings. Files are classified into the following categories: loop recording, event capture, emergency recordings, parking monitoring, and local album.
  - **Download Files:** Click "Record File" to access the file list. Select the desired photo or video and click "Download." Once completed, the file is saved to your mobile device and can be viewed in the Album.
  - **Play Files:** Click "VCR File" to view the file list. Files can be played directly on the device without downloading. You may also capture a screenshot of the current playback.
  - **Delete Files:** Delete selected files from the recorder or mobile device.

- **Album Management:** Enter the Album section to manage photos and videos downloaded to your phone. Click “All” to view all media files in this category. Files are arranged by date. Use “Select” to choose multiple files for batch operations.
- **File Categories: Video** (All video files), **Photos** (All photo files), **Urgent** (Collision detection files)

7. **Recorder Settings:** Enter the settings interface to adjust the following options:

- Microphone on/off
- Recording resolution
- Video file duration
- Other device-specific recording settings

---

## TROUBLESHOOTING

- **Cannot take photos or record video:** Check TF card space and lock status.
- **Recording stops automatically:** Use a high-speed TF card (SDHC, C10). HD video generates large data; low-speed cards may fail.
- **File error during playback:** Data may be corrupted. Format the TF card using the device’s format function.
- **Blurry footage:** Clean lens from dust or fingerprints.
- **Dark images in high-contrast scenes:** Adjust the “EV” value in the Settings menu.
- **Horizontal stripes in images:** Adjust “Light Source Frequency” to match local power supply (50Hz or 60Hz).
- **Device unresponsive:** Press the reset button to restore normal operation.

---

## INSTRUCTIONS FOR RECYCLING AND DISPOSAL:



This label means that the product cannot be disposed of as other household waste throughout the EU. To prevent potential damage to the environment or human health from uncontrolled waste disposal. Recycle responsibly to promote the sustainable use of material resources. If you want to return a used device, use the drop-off and collection system, or contact the retailer from whom you bought the product. The retailer can accept the product for environmentally safe recycling.



A declaration by the manufacturer that the product complies with the requirements of the applicable EU Directives.

**EU DECLARATION OF CONFORMITY**  
**According to EC Directive - CE**

Manufacturer: Shenzhen Jusheng Times Technology Co., Ltd  
Address: 201, Building 12, Hesheng Industrial Zone, Tangwei Community, Fuhai Street, Bao'an District, Shenzhen, China  
Phone:18824394728  
Email:1157000296@qq.com

This declaration of conformity is issued under the sole responsibility of the manufacturer.

**Product name:** CARVID (Dash camera)  
**Model no.:** W6, W6N, W6S

The object of the declaration described above is in conformity with the relevant Union harmonization legislation:


**Radio Equipment Directive 2014/53/EU**

**RoHS Directive 2011/65/EU and its subsequent amendments Directive (EU) 2015/863**

References to the relevant harmonized standards used or references to the other technical specifications in relation to which conformity is declared:

EN IEC 62368-1:2020+A11:2020  
EN IEC 62311: 2020  
EN 55032:2015/A1:2020  
EN 55035:2017/A11:2020  
ETSI EN 301 489-1 V2.2.3 (2019-11)  
ETSI EN 301 489-17 V3.3.1 (2024-09)  
ETSI EN 300 328 V2.2.2 (2019-07)  
EN 62321-3-1:2014  
EN 62321-4:2014+A1:2017  
EN 62321-5:2014  
EN 62321-6:2015  
EN 62321-7-1:2015  
EN 62321-7-2:2017  
EN 62321-8:2017

Imported by: HS PLUS D.O.O., Gmajna 8, 1236 Trzin, Slovenia, EU

Signed for and on behalf of (company name): Shenzhen Jusheng Times Technology Co., Ltd  
Place and date of issue: Shenzhen, 2026/3/20  
Name, function: dashboard camera, video recording  
Signature:   
Stamp: 